

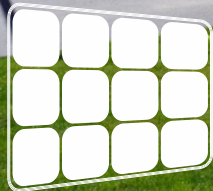
International Brokerage Event
Brussels, 26-27/10/2017



FLEXiSOLAR

Christopher Jackson
christopher@flexi-solar.com

Solar & Storage Systems





Flexisolar PV/EV System - Nottingham, UK



Flexisolar PV/EV/ESS System - Sheffield, UK



Flexisolar PV/EV/ESS System - Cambridge, UK

Description of the Organization



Flexisolar is a Cambridge (UK) Cleantech company founded in 1991. We specialise in integrated photovoltaics, energy storage and electric vehicle charging.

We have lead over EUR 5 million of Government R&D projects with leading companies such as Siemens, Skanska and BRE.

We are world leaders in integrated systems for energy and transport.

Description of the your research interest



EA Technologies are the privatised research division of the DNOs. They lead the UK's largest demonstrator for V2G with over 200 vehicles.



TURBO POWER SYSTEMS
Powering Intelligent Solutions

TPS are converter manufacturers and lead several H2020 consortia for power electronics.



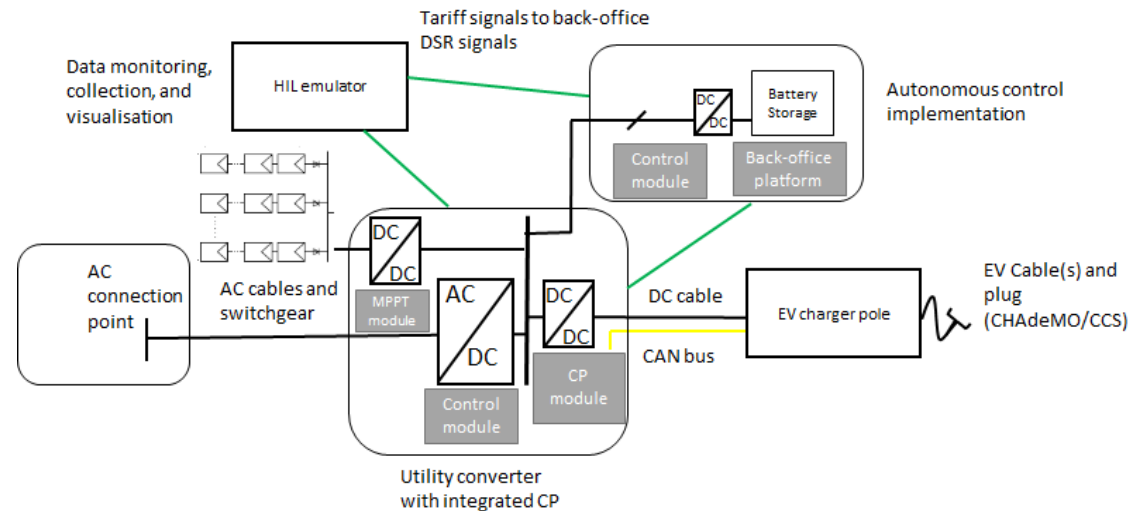
Newcastle University are leading over EUR 25 million in projects focussing on electric vehicles and batteries.



Flexisolar are leading the consortium and searching for EU & Turkish partners to deploy integrated PV, EV and EES trials.

SMARTHUBS

- SMARTHUBS are integrated energy and transport hubs that are able to connect multiple energy loads and sources in order to balance and support the low voltage network in order to deliver low-cost rapid charging in areas which can not support conventional EV charging.
- The consortium requires technology providers and demonstrators for this technology.



SMARTHUBS

- Background:
Electric vehicle charging station market will be worth EUR 11 billion by 2022 with an additional EUR 5 billion in electrical grid upgrades. The consortium is targeting a 5% market share in the EU within 5 years.
- Objectives:
 - Scalable charging infrastructure for ramp-up of expected electric mobility needs in terms of power levels and number of charging posts at one site, adequately managing the impact on the grid.
 - Cheap low power DC-Charging for highly efficient connection to future home and office energy systems based on DC-Networks with possibility of V2G by smartening the link between vehicle, charging infrastructure and the grid
- Expected results
 - Facilitate grid integration of high-power chargers;

Consortium - profile of known partners



| No | Partner Name | Type | Country | Role in the Project |
|----|-------------------------|------|---------|---------------------|
| 01 | Flexisolar | SME | UK | Lead |
| 02 | TPS | SME | UK | Partner |
| 03 | EA Technology | RIO | UK | Partner |
| 04 | University of Newcastle | UNI | UK | Academic Inst. |
| 05 | | | | |
| 06 | | | | |
| 07 | | | | |
| 08 | | | | |

Consortium - required partners



| No | Expertise | Type | Country | Role in the project |
|----|---------------------------|------|---------|---------------------|
| 01 | SITE DEMONSTATOR | RTD | ANY | Partner |
| 02 | COMPONENT MANUFACTURER | SME | ANY | Partner |
| 03 | | | | |
| 04 | | | | |
| 05 | | | | |
| 06 | | | | |
| 07 | | | | |
| 08 | | | | |

Christopher JACKSON

FLEXiSOLAR
UNITED KINGDOM

t: +44 7561 330 470

e: christopher@flexi-solar.com

w: flexi-solar.com