



This project is co-financed by the
European Union and the Republic of Turkey
Bu proje Avrupa Birliđi ve Türkiye Cumhuriyeti tarafından
finanse edilmektedir

Ali Serpengüzel
Koç University
Microphotonics Research Laboratory
aserpenguzel@ku.edu.tr

microphotonics.ku.edu.tr

Description of the Organization

microphotonics.ku.edu.tr

Koç University Microphotonics Research Laboratory focuses its experimental, theoretical, and numerical research efforts on application areas such as microcavity physics, optoelectronic devices, optical fiber communication, integrated photonics, silicon photonics, laser spectroscopy, and laser diagnostics.

collaborators and projects

microphotonics.ku.edu.tr



京都大学
KYOTO UNIVERSITY

KY SEMI



NYU·poly
POLYTECHNIC INSTITUTE OF NEW YORK UNIVERSITY



University of Essex



University of
Strathclyde
Glasgow



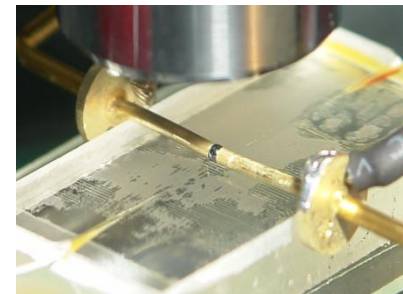
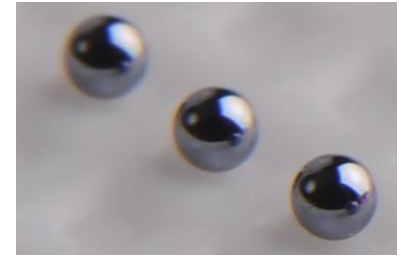
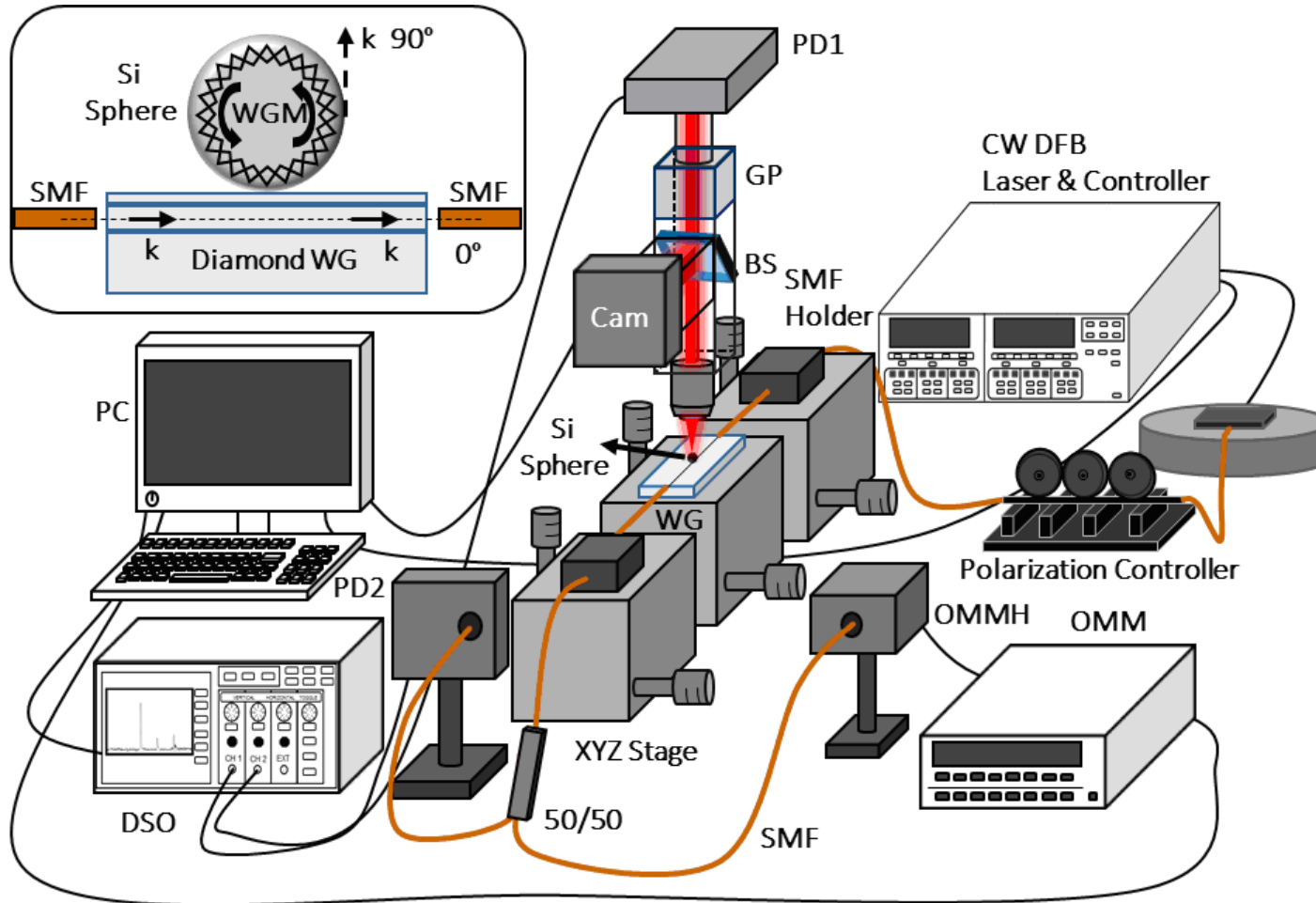
TÜBİTAK

EOARD

European Commission

spectroscopic research in optical materials and structures

microphotonics.ku.edu.tr



projects collaboration interest in **Restore Ocean & Soil Deal**
microphotonics.ku.edu.tr



HORIZON-MISS-2021-OCEAN-03-01:
Mediterranean sea basin lighthouse –
actions to prevent, minimise and
remediate litter and plastic pollution



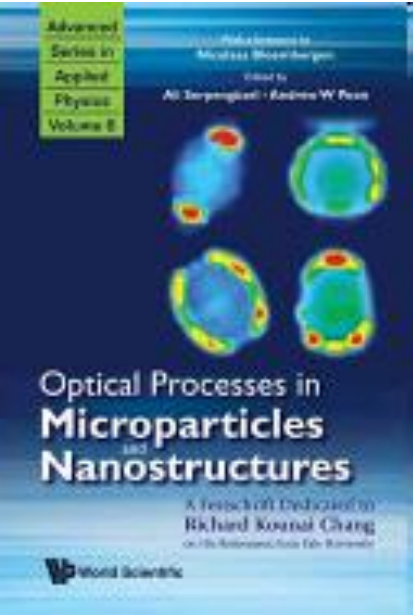
HORIZON-MISS-2021-OCEAN-03-02:
Mediterranean sea basin lighthouse –
coordination
activities





This project is co-financed by the
European Union and the Republic of Turkey
Bu proje Avrupa Birliđi ve Türkiye Cumhuriyeti tarafından
finanse edilmektedir

Ali Serpengüzel
Koç University
Department of Physics
Turkey
+902123381312
aserpenguzel@ku.edu.tr



World Scientific
(2011)



Optics Photonics
News 20, (2009)

microphotonics.ku.edu.tr